

Multifunctional Training with beFunc → as Circuit-, and Group-Training

beFunc offers a full body training on 1 sqm! Whether it is a strength training for the entire body, full body stretching, a "Short Sling Training" or a highly challenging proprioceptive training – with beFunc it's possible. Every exercise can be performed in different levels of difficulty making beFunc suitable for beginners as well as professionals.

The size of beFunc as well as its innovative "Three-Side-Usability" ensure ideal space utilization. Due to its light weight beFunc can be used everywhere, even outdoors with the optional galvanising.

Your **benefits:**

- Countless exercises in various levels of difficulty make strength-, coordination-, agility- and sling training fun and easy to do
- beFunc is perfect as an addition for the "space" in studios, personal training, training in small groups, circuit training, elderly training, home training, rehabilitation and outdoor training
- Extremely space saving through "Three-Side-Usability"
- Extremely mobile due to its 14kg in weight and a basis of < 1 sqm

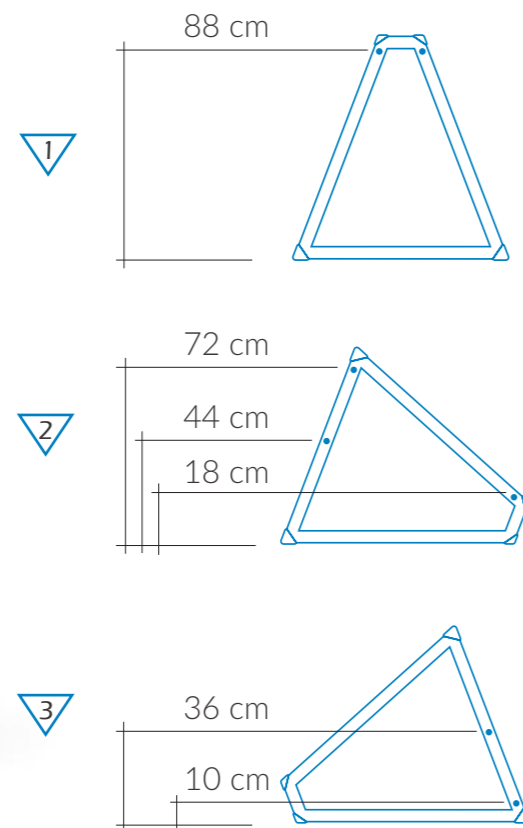
beFunc is ideal for use in small-groups and circuit training due to the immense variety of functional strength-, agility and coordination exercises in different difficulty levels. The possible combinations of all exercises create an infinite number of training circuits, bringing new motivation to the training every time, making it beneficial for beginners as well as professionals.

Over 60 workout cards, their stands and the battery-powered LED training light provide professional adaptability of stationary or mobile training circuits to fit customer needs. The circuits areas of application may be in the machine area or as a mobile solution in gyms and outdoor training. A particular advantage is the space saving storage of beFunc.

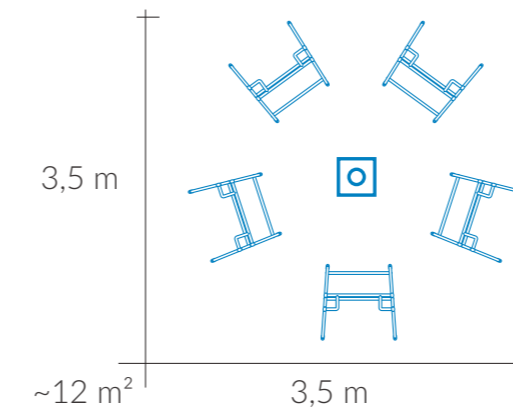
Your **benefits:**

- Infinite training circuits with eligible focuses (strength, agility, coordination)
- Specific adaptability to customer needs (beginners up to professionals)
- Premade workout cards, card stands and the LED-workout light provide professional circuit training solutions
- Usability in classes, free space in the gym and outdoor

beFunc Details



Strength Circuit



Agility Circuit



Coordination Circuit



Space saving Design

